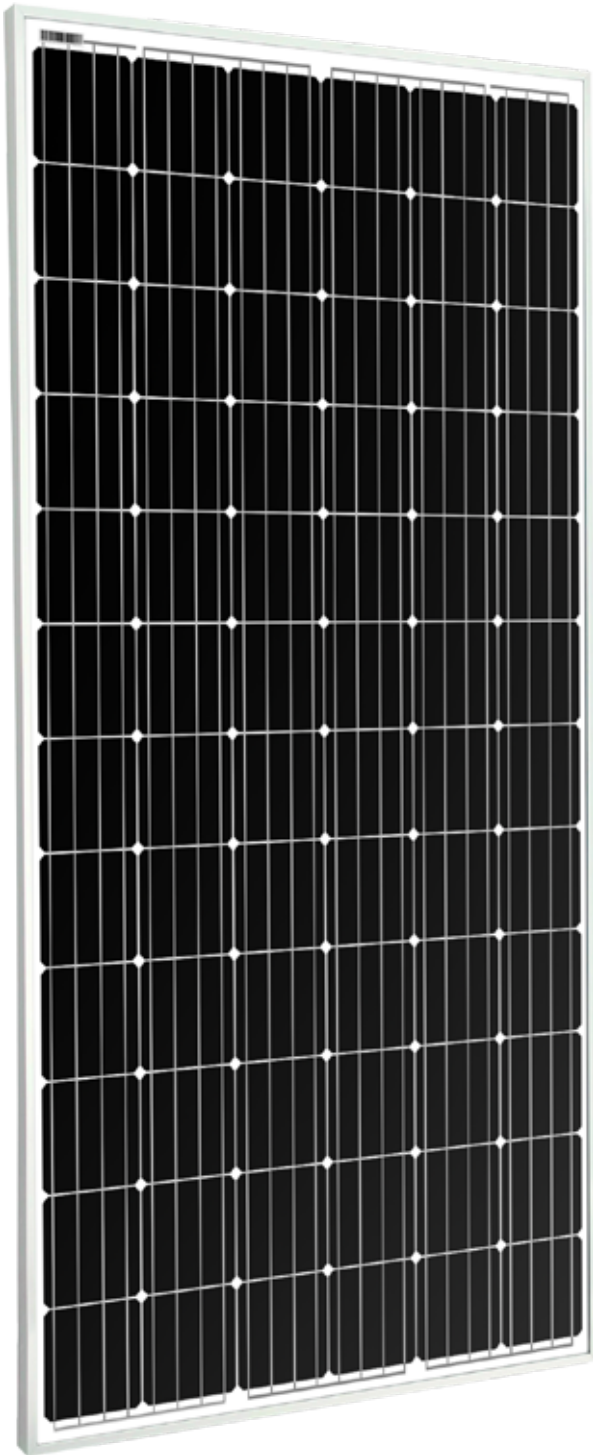


# TM-Series

## TM-M672365/375

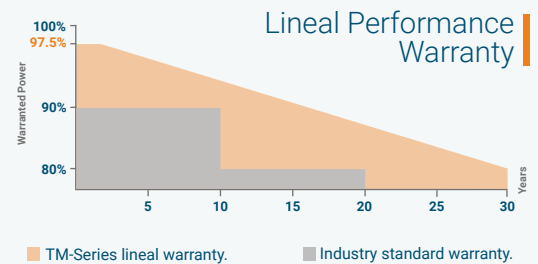


Monocrystalline  
PERC Solar Cells

365-375W  
Power Range

19.30%  
Efficiency

0/+5W  
Tolerance



10 YEARS PRODUCT · 30 YEARS POWER

### Key Features



**High PID resistant**  
TM-Series has proved resistance to degradation induced power.



**Advanced glass**  
High transmission glass resulting in increased energy production.



**High efficiency and durability**  
Manufacturing process certified, excellent performance under low light environments.

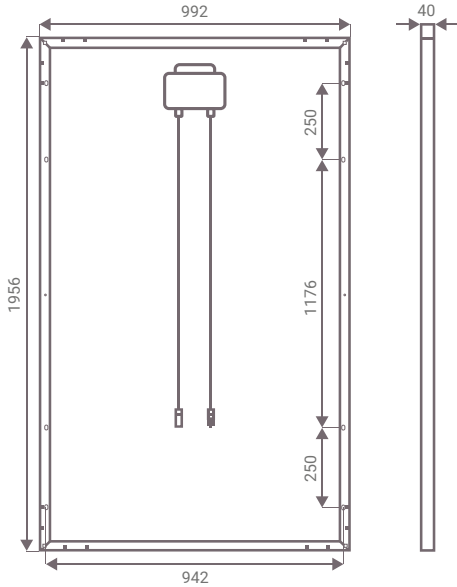


**Robust and corrosion free modules**  
Certified to withstand the most challenging environmental conditions.

# TM-M672365/375

MONOCRYSTALLINE PV MODULES - PERC

# TM-Series



## ELECTRICAL DATA

STC	TM M672365	TM M672370	TM M672375
Maximum Power at STC (Pmax)	365 W	370 W	375 W
Optimum Operating Voltage (Vmp)	39.30 V	39.70 V	40 V
Optimum Operating Current (Imp)	9.30 A	9.33 A	9.37 A
Open Circuit Voltage (Voc)	48 V	48.30 V	48.50 V
Short Circuit Current (Isc)	9.77 A	9.83 A	9.88 A
Module Efficiency	18.80 %	19 %	19.30 %

Electric characteristics at normal standard conditions (STC)  
STC Conditions: Irradiance: 1.000W/m2, cell temperature: 25°C, AM=1.5

NOCT	TM M672365	TM M672370	TM M672375
Maximum Power at NOCT (Pmax)	272 W	276 W	279 W
Optimum Operating Voltage (Vmp)	36.40 V	36.80 V	37.10 V
Optimum Operating Current (Imp)	7.47 A	7.50 A	7.53 A
Open Circuit Voltage (Voc)	44.60 V	44.90 V	45.10 V
Short Circuit Current (Isc)	7.89 A	7.94 A	7.98 A

Electric characteristics at normal operation conditions (NOCT)  
NOCT Conditions: Irradiance: 800W/m2, ambient temperature: 20°C, AM=1.5, wind speed: 1m/s

## GENERAL CHARACTERISTICS

Dimensions	1956x992x40 mm
Weight	23 Kg

## PACKAGING

Modules per Pallet	22
Nº pallets per HC Container 40'	24

The max capacity per container are 628 modules

## TEMPERATURE RATING

NOCT	45 ± 2° C
Coefficient of (Pmax)	-0.39 %/°C
Coefficient of (Voc)	-0.29 %/°C
Coefficient of (Isc)	+0.05 %/°C

## OPERATIVE CONDITIONS

Power Tolerance	0/+5W
Max. System Voltage	1.000 V / 1.500 V
Max. Series Fuse Rating	15 A
Operating Temperature Range	-40° C to 85 °C
Max. Static Load, Front (Snow)	5400 Pa
Max. Static Load, Back (Wind)	2400 Pa
Fire Rating	Class C

## MECHANICAL CHARACTERISTICS

Solar Cells	Monocrystalline silicon 156x156 mm
Cell Arrangement	72 cells in series
Front Cover	Low-iron tempered glass 3.2 mm
Frame	Anodized aluminum alloy
Encapsulant	EVA (ethylene vinyl acetate)
Junction Box	IP67
Bypass Diodes	3
Cables (length/area)	1000 mm / 4 mm <sup>2</sup> (IEC), 12 AWG (UL)
Connectors	MC4

## CERTIFICATIONS



IEC 61215, IEC 61730, ISO 9001:2008, ISO 14001:2004, BS OHSAS 18001:27, PV Cycle, MCS, PID, WEEE, UL.

**Caution:**  
To operate, install and manage Tamesol's modules, read the installation manual and use carefully.

**Observations:**  
This Datasheet is subject to change without notice due to continuous improvement of our products. You can find all records of the updates on our website [www.tamesol.com](http://www.tamesol.com) or by contacting one of our sales staff. All rights reserved ©Tamesol ®

Authorized Partner:

